

Moonlite™ Emergency & Security Light

Interior LED Wall Mount Series MLW

MLW.05.10.12

The Brightest Idea is Emergency Lighting

GENERAL DESCRIPTION

At only 5" x 5" in width and height and 2" profile depth, this unit is the smallest emergency wall pack available. It has high lighting output, allowing fixture spacing up to 40 ft for 1Fc average illumination along the path of egress. The all-aluminum construction can be custom finished in our shop to match any interior.

CONSTRUCTION

- Extremely low profile, formed aluminum housing. Standard finish is white satin paint; custom colors are available, including brushed aluminum anodized finishes.
- Contoured prismatic lens generates a uniform elongated lighting pattern over required path of egress.
- Three versions available:

BB= Unit equipment with self-contained battery

RE= Remote for connection to Central Battery System

AC= Remote for connection to AC 120/277 emergency supply.

ENERGY EFFICIENT OPERATION

- Dual function operation for night or security lighting as well as emergency lighting.
- Very low power consumption in night/ security mode. This unit offers tremendous energy savings when compared to any fluorescent or incandescent lighting systems during night operations.
- Over 50,000 hour lamp life in normal use.
- IES photometric data available for all models.

FIXTURE SCHEDULE

MODEL	CATALOG NO
APPROVAL	JOB INFORMATION



ELECTRONICS

- Lamps are connected in parallel. If one lamp fails, one or more lamps will continue in operation.
- Universal 120/277 VAC input for standard battery or AC unit, or 24 VDC input for remote configuration.
- Power supply delivers regulated current and voltage to LED lamps at optimum levels to maximize lamp life.
- Automatic battery diagnostics available for all battery models.

CODES

- Manufactured and tested to UL Standard 924 and NFPA Life Safety Code 101.

WARRANTY

- 5 year total customer satisfaction warranty. For details see product catalog technical data section.



Moonlite™ Emergency & Security Light

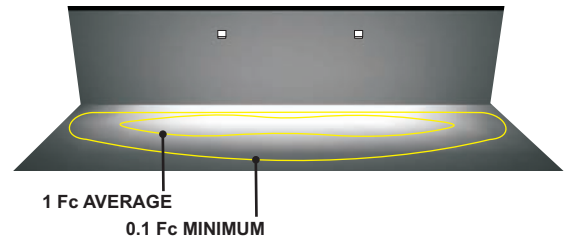
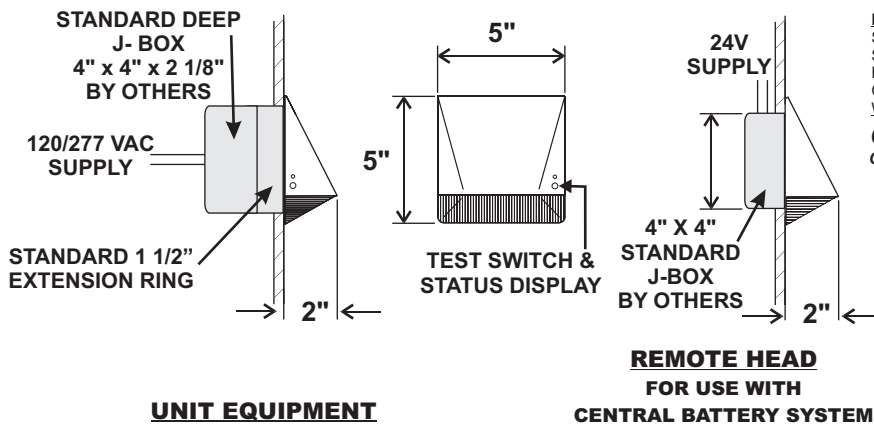
Interior LED Wall Mount Series MLW

MLW.05.10.12

SUGGESTED SPECIFICATIONS:

Install MOONLITE™ Series MLW Interior Wall Mount LED emergency lighting fixture manufactured by Sigtex Inc., available as unit equipment or as a remote device connected to a central battery power source. Upon loss of AC building power, lighting will be activated for a minimum of 90 minutes under battery power, in compliance with UL 924 and NFPA LSC Code 101. In remote configuration, the unit may be specified to operate continuously for security or night lighting, as required. The battery charger and power supply shall have universal input of 120/277 VAC, with brownout and LVD circuit protection. Auto battery diagnostics shall be available for all models, as specified and shall perform all test functions specified by UL 924 and NFPA 101.

MOUNTING DATA & DIMENSIONS:



SPACING GUIDE

Average Illuminance 1 Fc

Model	Mtg. Ht.	SPACING		
		Path of Egress Width		
		3 Ft.	6 Ft.	10 Ft.
10 L2	8 1/2'	40'	35'	25'
15 L3	8 1/2'	45'	40'	35'

NOTE: TESTED IN ACCORDANCE WITH IES STANDARD LM-79-08 FOR SOLID STATE LIGHTING PRODUCTS. FOR REFERENCE ONLY. STANDARD REFLECTANCES 80/50/20. SIGTEX IS NOT RESPONSIBLE FOR SPECIFIC CONDITIONS THAT MAY ALTER THE RESULTS. COMPLETE IES PHOTOMETRIC DATA AVAILABLE AT WWW.SIGTEXINC.COM FOR YOUR CONVENIENCE.

CONTACT SIGTEX FOR LAYOUT ASSISTANCE
Code Compliant Emergency lighting layouts provided free of charge!

SECURITY/NIGHT LIGHTING POWER RATING (SPR)

The Catalog Number for MOONLITE LED fixtures specifies the number of lamps used:
L2 = Two LED lamps per fixture
L3 = Three LED lamps per fixture
 For the total SPR per fixture, multiply the number of lamps by the power ratings below:
STANDARD: 2 WATTS PER LED
CUSTOM: 5 WATTS MAX PER LED*
 * Varies by Model. Contact factory for information.

ORDERING INFORMATION: EXAMPLE: MLWRE15L3W-DP

MLW	RE	15L3	W	DP
MODEL SERIES	OPERATION	EMERGENCY POWER RATING	TRIM COLOR	OPTIONS
MLW	BB= Battery Backup RE= Remote with Central Battery System AC= AC Supply 120/277V	10L2 = 10 Watts / 2 lamp 15L3 = 15 Watts / 3 Lamp 8L2 = 8 Watts AC 12L3 = 12 Watts AC	W=White 'X'=Custom	DP=Damp Location DG= Battery Diagnostics SW= Security Lighting with Control Switch*

*Models with battery backup and the SW option may operate in low power Security Lighting mode when connected to the active building AC supply and wired according to Installation Instructions. The security lighting circuit is independent of emergency lighting and may be switched manually, by an exterior photocell, or other automatic means.

Sigtex Inc
LIGHTING
220 VFW Avenue, Grasonville, MD 21638
TEL: (410) 827-8300 Fax: (410) 827-8866
sales@sigtexinc.com www.sigtexinc.com

DISTRIBUTOR:

Specifications and Dimensions subject to change without notice.