

# Moonlite™ Emergency & Security Light

High Output Recessed Mount LED Down Light  
Series MLDD  
MLDD.12.11.2

## The Brightest Idea is Emergency Lighting with LEDs



### GENERAL DESCRIPTION

Designed for mounting heights up to 30 ft. or more, this recessed LED fixture produces over 860 lumens with dual optical lenses to produce a wide, elongated beam along the path of egress. With installed spacing of 50 ft. in a ceiling of 30 ft., an average of 1 Footcandle is easily achieved.

### CONSTRUCTION

- Housing and canopy plate from rugged extruded aluminum.

- Three versions available:

BB= Unit equipment with self- contained battery.

RE= Remote for connection to Central Battery System

AC= Remote for connection to AC 120/277 emergency supply.

### ENERGY EFFICIENT

- Dual function operation for normally on night or security lighting as well as emergency lighting.

- Very low power consumption in night/ security mode. This unit offers tremendous energy savings when compared to any fluorescent or incandescent lighting systems during night operations.

- Over 50,000 hour lamp life in normal use.

- IES photometric data available for all models.

### ELECTRONICS

- Lamps are connected in parallel. If one lamp fails, one or more lamps will continue in operation.

- Universal 120/277 VAC input for standard battery or AC unit, or 24 VDC input from the Sigtex Series CBS Central Battery System.

- Power supply delivers regulated current and voltage to LED lamps at optimum levels to maximize lamp life.

- Automatic battery diagnostics available for all battery models.

### CODES

- Manufactured and tested to UL Standard 924 and NFPA Life Safety Code 101.

### WARRANTY

- 5 year total customer satisfaction warranty. For details see product catalog technical data section.

### FIXTURE SCHEDULE

MODEL	CATALOG NO
APPROVAL	JOB INFORMATION



# Moonlite™ Emergency & Security Light

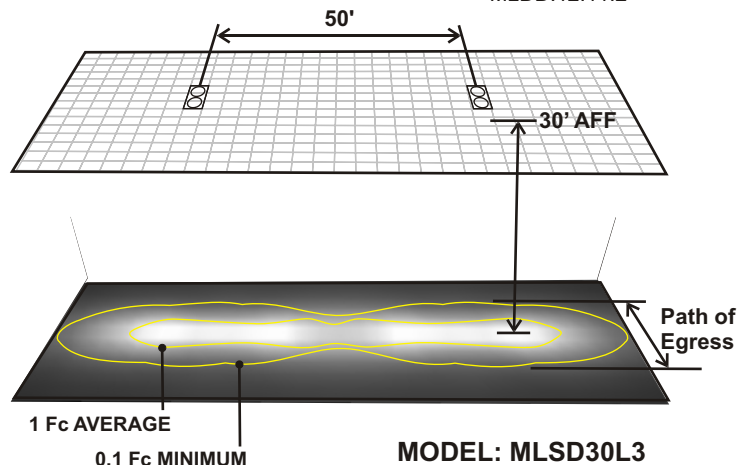
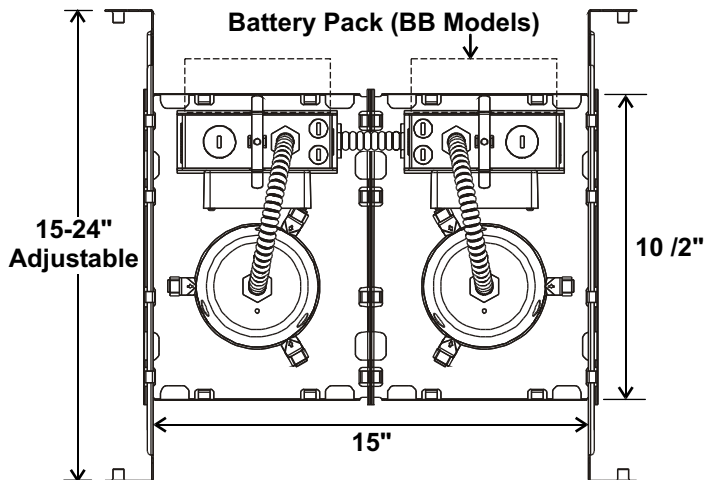
## High Output Recessed Mount LED Down Light Series MLDD

MLDD.12.11.2

### SUGGESTED SPECIFICATIONS:

Install MOONLITE™ Series MLDD Recessed Mount LED down light emergency lighting fixture manufactured by Sigtex Inc., available as unit equipment or as a remote device connected to a central battery power source. Upon loss of AC building power, lighting will be activated at 30 watts in the standard model for a minimum of 90 minutes under battery power, in compliance with UL 924 and NFPA150 Code 101. In remote configuration, the unit may be specified to operate continuously for security or night lighting, as required. The battery charger and power supply shall have universal input of 120/277 VAC, with brownout and LVD circuit protection. Auto battery diagnostics shall be available for all models, as specified and shall perform all test functions specified by UL 924 and NFPA101.

### MOUNTING DATA & DIMENSIONS:



### SPACING GUIDE Average Illuminance 1 Fc

Model	Mtg. Ht.	SPACING	
		Path of Egress Width	
20L4	30'	35'	N/A
30L6	30'	50'	35'

**NOTE:** TESTED IN ACCORDANCE WITH IES STANDARD LM-79-08 USING ABSOLUTE PHOTOMETRY FOR SOLID STATE LIGHTING PRODUCTS. FOR REFERENCE ONLY. STANDARD REFLECTANCES 80/50/20. SIGTEX IS NOT RESPONSIBLE FOR SPECIFIC CONDITIONS THAT MAY ALTER THE RESULTS. COMPLETE IES PHOTOMETRIC DATA AVAILABLE AT [WWW.SIGTEXINC.COM](http://WWW.SIGTEXINC.COM) FOR YOUR CONVENIENCE.

**CONTACT SIGTEX FOR LAYOUT ASSISTANCE**  
Code Compliant Emergency lighting layouts provided free of charge!

### SECURITY/NIGHT LIGHTING POWER RATING (SPR)

The Catalog Number for MOONLITE LED fixtures specifies the number of lamps used:

**L2 = Two LED lamps per fixture**

**L3 = Three LED lamps per fixture**

For the total SPR per fixture, multiply the number of lamps by the power ratings below:

**STANDARD: 2 WATTS PER LED**

**HIGH: 4 WATTS MAX PER LED\***

\*Option SEC4

### SELF-TEST DIAGNOSTIC FUNCTIONS

STATUS	LED DISPLAY
NORMAL FULL CHARGE	GREEN ON
NORMAL FAST CHARGE	ORANGE ON
FAILED BATTERY	RED FLASH FAST
FAILED LAMP	GREEN FLASH
FAILED TRANSFER	ORANGE FLASH
FAILED CHARGER	RED FLASH SLOW

### ORDERING INFORMATION: EXAMPLE: MLDDRE20L4-DP

MLDD	RE	20L4	W	DP
MODEL SERIES	OPERATION	EMERGENCY POWER RATING	TRIM COLOR	OPTIONS
MLDD	BB = Battery Backup RE = Remote with Central Battery System AC = AC Supply 120/277V	20L4 = 20 Watts } BB & RE 30L6 = 30 Watts } 16L4 = 16 Watts } AC 24L6 = 24 Watts } MODELS	W=White 'X'=Custom	DG= Battery Diagnostics DP= Damp Location SW= Security Lighting with Control Switch* SEC4= 4 Watts per LED in Security Mode



**Sigtex Inc**  
LIGHTING

220 VFW Avenue, Grasonville, MD 21638  
TEL: (410) 827-8300 Fax: (410) 827-8866  
sales@sigtexinc.com www.sigtexinc.com

**DISTRIBUTOR:**

Specifications and Dimensions subject to change without notice.

\*Models with battery backup and the SW option may operate in low power Security Lighting mode when connected to the active building AC supply and wired according to Installation Instructions. The security lighting circuit is independent of emergency lighting and may be switched manually, by an exterior photocell, or other automatic means.