

Emergence

Self- Luminous Signs

Aluminum Housing

Series EMA

EMA.08.076



LIGHTING

- INTERNALLY ILLUMINATED BY SELF- LUMINOUS TRITIUM GAS LAMPS WITH GUARANTEED LUMINOUS LIFE UP TO 20 YEARS, AS SPECIFIED.
- OBSERVATION TESTED FOR VISIBILITY UP TO 125 FT IN COMPLETE DARKNESS.
- NO ELECTRICAL CONNECTIONS, NO HEAT GENERATED, AND NO MAINTENANCE REQUIRED FOR THE LIFE SPECIFIED, UP TO 20 YEARS. SUITABLE FOR USE IN WET LOCATIONS.
- OUTPUT AT 525 NANOMETER WAVELENGTH (GREEN) PROVIDES MAXIMUM VISIBILITY IN LOW AMBIENT BRIGHTNESS.
- NO EXTERNAL LIGHT REQUIRED FOR ACTIVATION.

CODES & APPROVALS

- MANUFACTURED AND TESTED TO UL STANDARD 924 AND LIFE SAFETY CODE NFPA 101 AND NATIONAL ELECTRICAL CODE ARTICLE 500, CLASS I AND II CONDITIONS. SEALED SOURCE AND DEVICE REGISTERED WITH USNRC FOR DISTRIBUTION TO GENERAL LICENSEES.

CONSTRUCTION

- DOUBLE- WALL HOUSING OF EXTRUDED ALUMINUM WITH MINIMUM WALL THICKNESS OF .09" (2.3MM). NO VISIBLE MOUNTING HARDWARE.
- STANDARD FINISH: SATIN ANODIZED BRUSHED ALUMINUM; OPTIONAL FINISHES AVAILABLE IN PAINTED ENAMEL COLOR.
- POLYCARBONATE FACEPLATE WINDOW OF .125 (3 MM) MINIMUM THICKNESS.
- UNIVERSAL FIELD ADJUSTABLE CHEVRON ARROWS AND UNIVERSAL MOUNTING BRACKETS.

WARRANTIES

- UNCONDITIONAL WARRANTY IS PROVIDED AGAINST FAILURE TO MEET REQUIRED STANDARDS OF ILLUMINATED LIFE, AS SPECIFIED ON THE PRODUCT LABEL.



FIXTURE SCHEDULE

MODEL	CATALOG NO
APPROVAL	JOB INFORMATION



Emergence

Self-Luminous Signs

Aluminum Housing

Series EMA

EMA.08.076

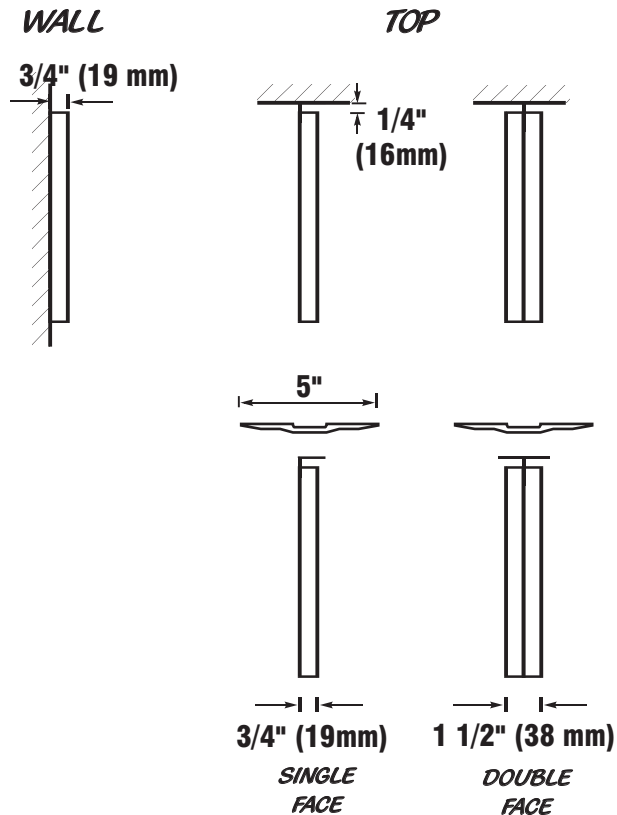
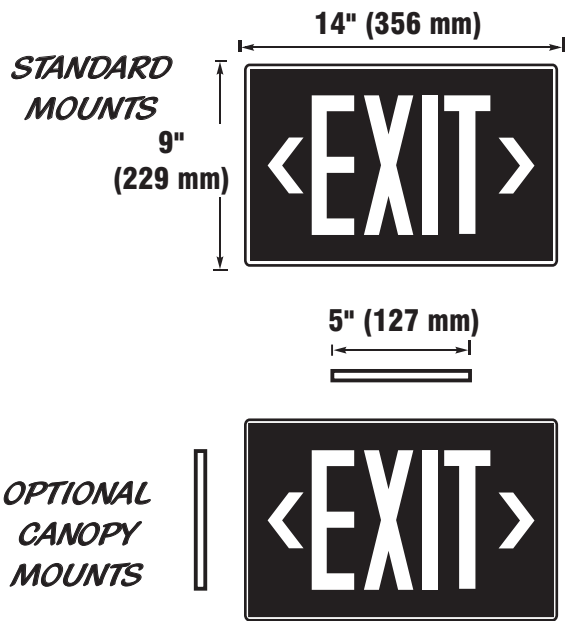
SUGGESTED SPECIFICATIONS:

Supply and install Sigtex, Inc EMERGENCY Series EMA self luminous EXIT signs illuminated by tritium gas lamps. The housing shall be fabricated from extruded aluminum with overall dimensions of 14" x 9" x 3/4", having a minimum external wall thickness of .09" and a polycarbonate window of .125" minimum thickness. Universal mounting brackets shall be supplied. For signs specified with a luminous life of 10 years, the minimum initial brightness measured at any point on the external surface shall be 0.12 ft L (.21 cd/m²); for any other specified lifetime, the minimum surface brightness shall be 0.012 ft L (.021 cd/m²) per year of specified luminous life.

OPTIONS & ACCESSORIES:

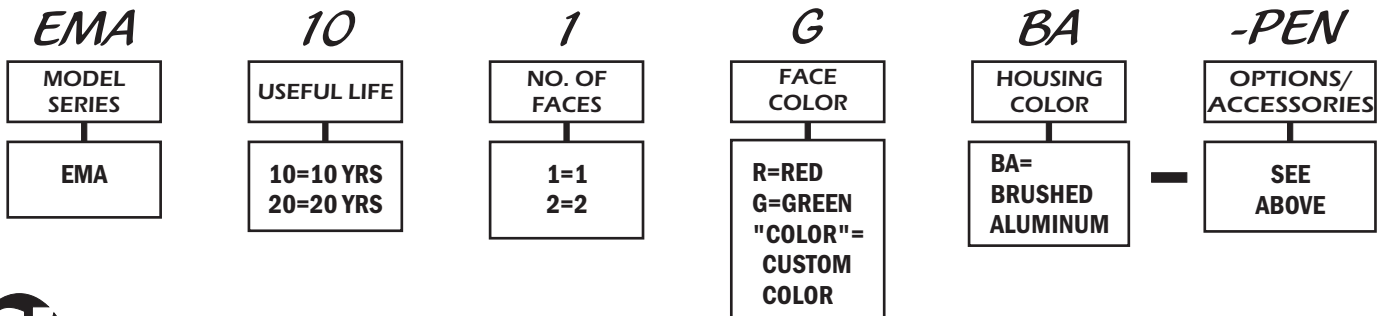
DESCRIPTION	CODE
Pendant Mount Kit	PEN
Canopy Mount Kit	CAN
White Housing	W
Black Housing	B

MOUNTING DATA & DIMENSIONS:



ORDERING INFORMATION:

EXAMPLE: EMA 101 GBA-PEN



Sigtex Inc
LIGHTING

220 VFW Avenue, Grasonville, MD 21638
TEL: (410) 827-8300 Fax: (410) 827-8866
sales@sigtexinc.com www.sigtexinc.com

DISTRIBUTOR: