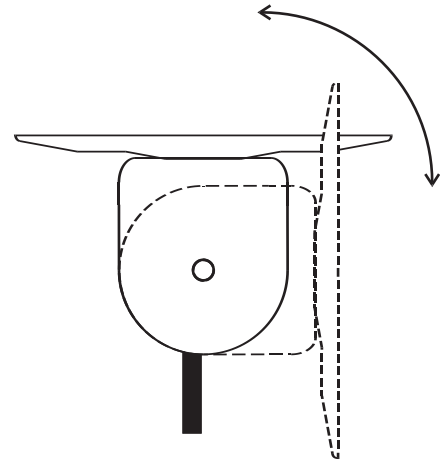


# Crystal Swing face With Hang-Straight Hinge

## Edge-lit LED Exit Signs Series CRSW CRSW.06.09.6



### CONSTRUCTION

- Extruded aluminum LED lamp housing mounts to a form-fitting canopy in solid aluminum that contains a "cam lock" device, which is field adjustable for wall or ceiling mount.
- Standard finishes: satin white and brushed aluminum.
- Optional finishes: Painted colors in any custom shade, or anodized finishes in satin bronze, polished gold, mirror silver & many others.
- Diamond polished acrylic lenses for optimum light transmission, exterior quality and high brightness.
- Ultra high output LEDs produce brilliant graphic illumination well above code minimums

### ELECTRONICS

- Isolated, all solid state power supply with 2-wire universal input from 120 VAC to 277 VAC with precise current and voltage regulation.
- Power supply is surge and spike protected, with a low voltage disconnect.
- The complete power supply module with optional NICAD battery pack is sealed within a phenolic plastic enclosure, which fits inside a standard 4" square deep J-box. AC and DC wiring is quickly attached with plug connectors.

### DIAGNOSTICS OPTION

- An advanced microprocessor monitors all charger functions and battery condition continuously and automatically performs all tests and visual indications required by UL Standard 924.

### MOUNTING

- Field selectable wall or ceiling mount. No exposed hardware.

### REMOTE MODELS

- All versions of this product are available as a Remote, configured to operate from one of three central battery systems. For full details, refer to Series CRSRE specification sheet, and the following specifications for central battery systems:
  - Series CBS UNIVERSAL CENTRAL BATTERY SYSTEM
  - Series MCS MULTILITE CENTRAL SYSTEM
  - Series MTL MASTER-REMOTE SYSTEM

### CODES

- Manufactured and tested to UL Standard 924. Conforms to NFPA Life Safety Code 101, UBC and NEC.

### WARRANTY

- 5 year total customer satisfaction warranty. For details see product catalog technical data section.

U.S. Patent 5, 276, 591



### FIXTURE SCHEDULE

MODEL	CATALOG NO
APPROVAL	JOB INFORMATION



# Crystal swing face With Hang-Straight Hinge

## Edge-lit LED Exit Signs Series CRSW

CRSW.06.09.6

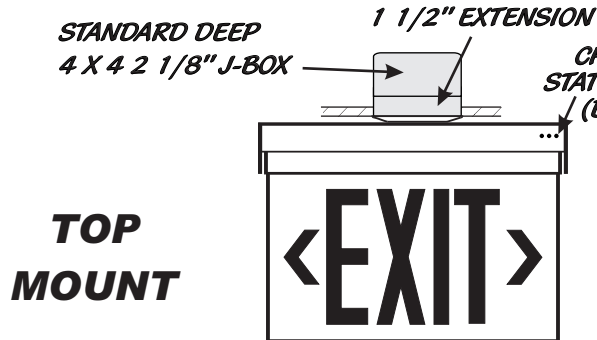
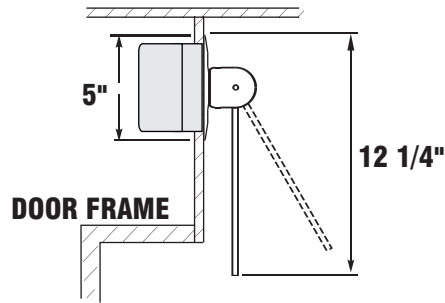
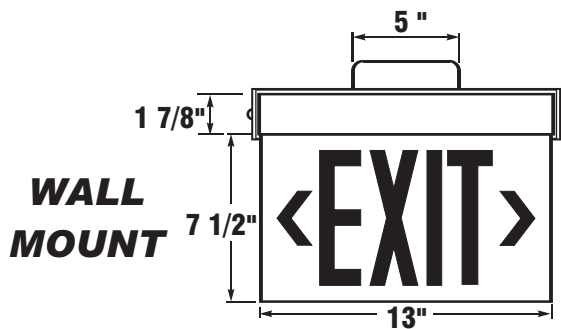
Supply and install Sigtex CRYSTAL Series CRS surface mount LED exit signs. The lamp housing and canopy shall be of extruded aluminum. Faceplate shall be optical grade acrylic with diamond polished edges and allows swing rotation up to 180° when required.. Lighting uniformity shall be better than 4:1 when measured over any illuminated area and average brightness will exceed 6 ft Lambert (21 Cd/m<sup>2</sup>). Life expectancy of the LEDs shall be in excess of 20 years. The power supply and charger shall be an isolated digital type with regulated current and voltage output to the lamp load and batteries (emergency models). AC supply shall be universal 120/277 VAC input via two-wire feed. One standard power supply shall be capable of driving up to 5 single face remote signs in addition to the master, with emergency operation at least 90 minutes for each sign. Battery charge time to restore full capacity after discharge shall be less than 24 hours.

### OPTIONS:

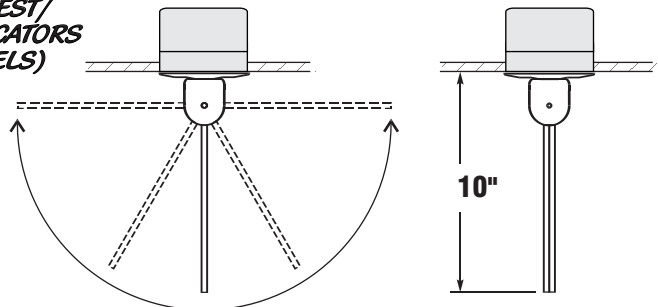
OPTIONS:	CODE:
Damp Location	DP
Battery Diagnostics	DG
Mirror Lens (SF)	M
White Lens (SF & DF)	W
For other Custom Colors: Call Factory	

**NOTE: PRE-INSTALL 4" X 4" X 2 1/8" DEEP J-BOX WITH 1 1/2" EXTENSION RING**

### MOUNTING DATA & DIMENSIONS:



CHARGE/TEST/STATUS INDICATORS (BB MODELS)



**180° MAX SWING**

**SINGLE FACE**

**DOUBLE FACE**

### ORDERING INFORMATION:

EXAMPLE: CRSWB-1RCBA-NA-TW-DG

**CRSW BB - 1 R C BA - NA - DG**

MODEL SERIES	OPERATION	NO. of FACES	LETTER COLOR	BACKGRD COLOR	STANDARD TRIM FINISH	ARROW DIRECTION	OPTIONS
CRSW	BB= Battery Backup NB= Ac Only	1= Single 2= Double	R= Red G= Green	C= Clear (SF) M= Mirror (DF) For Other Options See Above	W= White BA= Brushed Alum X= Custom	NA= No Arrow AR= Arrow Right > AL= Arrow Left < AB= Arrow Both <>  Double Face Signs: NA= No Arrow LR= Single Arrow Each Side > AB= Double Arrow Each Side <>	See Above



**Sigtex Inc**  
LIGHTING

220 VFW Avenue, Grasonville, MD 21638  
TEL: (410) 827-8300 Fax: (410) 827-8866  
sales@sigtexinc.com www.sigtexinc.com

**DISTRIBUTOR:**