

## INSTALLATION INSTRUCTIONS AND OWNER'S MANUAL

### **IMPORTANT SAFEGUARDS READ AND FOLLOW ALL SAFETY INSTRUCTIONS**

Before connecting to power supply, **TURN OFF ELECTRICAL POWER AT CIRCUIT BREAKER OR FUSE**

Disconnect AC power before servicing.

Refer to wiring diagram for proper connections.

All servicing should be performed by qualified personnel.

Consult your local building code for approved wiring and installation.

Do not use outdoors.

Suitable for indoor damp locations (when specified).

Do not let power cords touch hot surfaces.

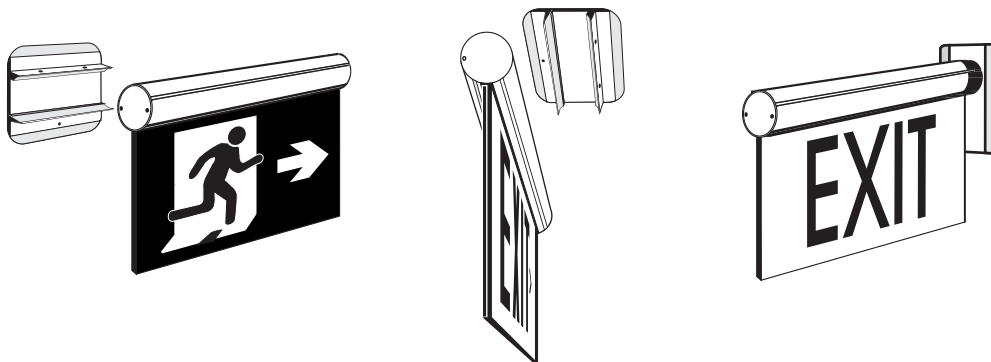
Do not mount near gas or electric heaters.

Mount and secure exit sign at a location and height to avoid ready access and tampering by unauthorized persons.

(Exception: Floor proximity installations)

The use of accessory equipment is not recommended by the manufacturer and may cause an unsafe condition.

Do not use this equipment for other than intended use.



### **SAVE THESE INSTRUCTIONS**



SPECIFIED EMERGENCY LIGHTING

REV 10.08.02

## INSTALLATION INSTRUCTIONS

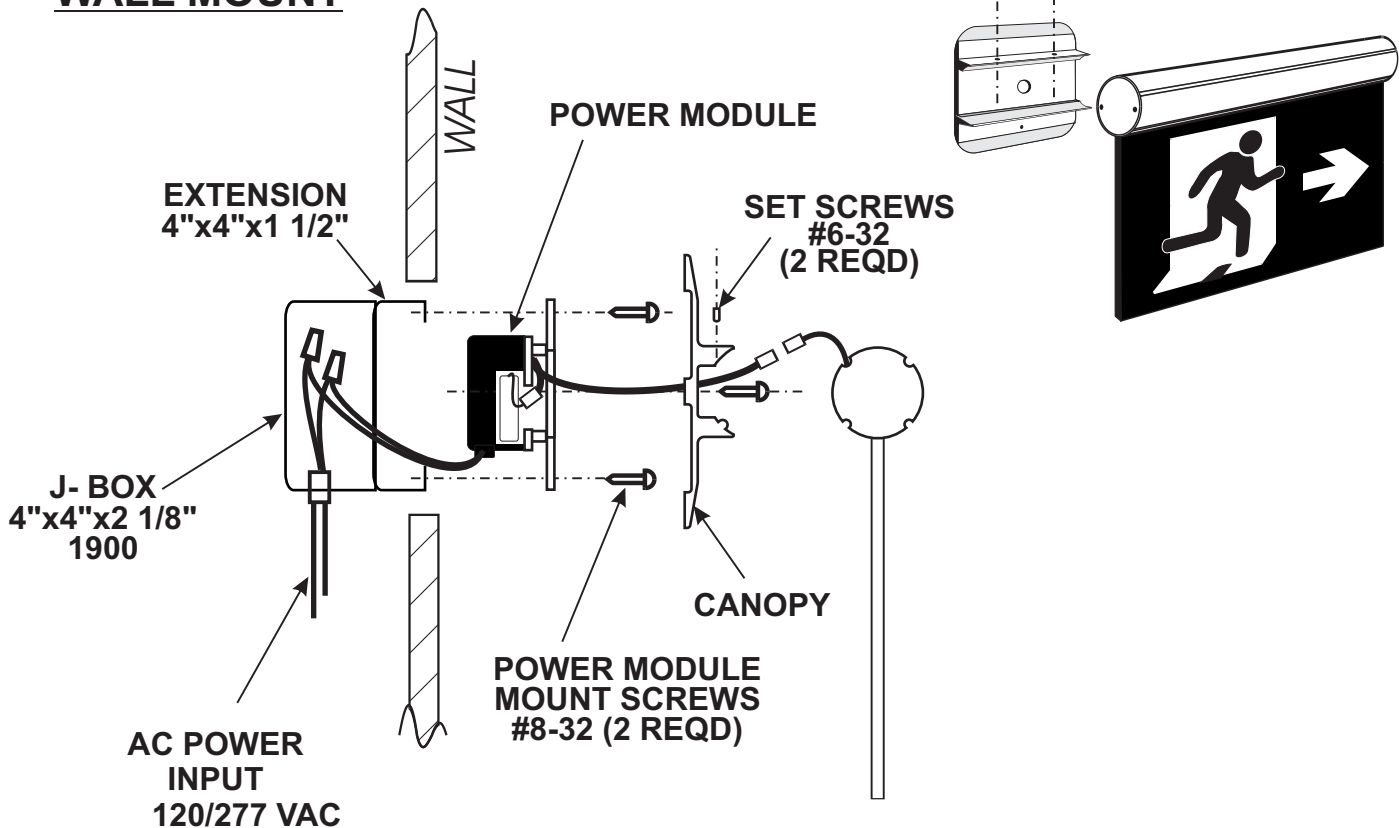
Before installing or connecting any primary power wiring,  
**DISCONNECT MAIN POWER SUPPLY AT THE CIRCUIT BREAKER OR FUSE.**

**ALL INSTALLATIONS REQUIRE STANDARD TYPE  
4" x 4" SQ x 2 1/8" DEEP J- BOX.  
SET J-BOX EDGE AT 1/4" BELOW FINISHED PANEL SURFACE**

### WALL OR CEILING MOUNT

1. Connect Power Module AC wiring to main power lines in J-Box, using wire nuts or connectors supplied. BLACK - 120 -277 VAC: WHITE: Common. Attach building ground wire to backbox with screw provided.
2. Route wire nuts to side of J-box, insert Power Module into box and secure with 2 #8-32 box screws. NOTE: Power module orientation is universal, position as required to clear nipple and wire nuts in J-box.
3. For battery backup models, connect 2-pin polarized battery plug.
4. Run LED lamp plug from power module through canopy center and secure canopy to j-box with 2 #8-32 screws supplied.
5. Raise sign to canopy, connect LED lamp plug, insert excess wiring and plug into j-box cavity. Position lamp housing into canopy, center assembly, then secure with 2 #6-32 set screws.

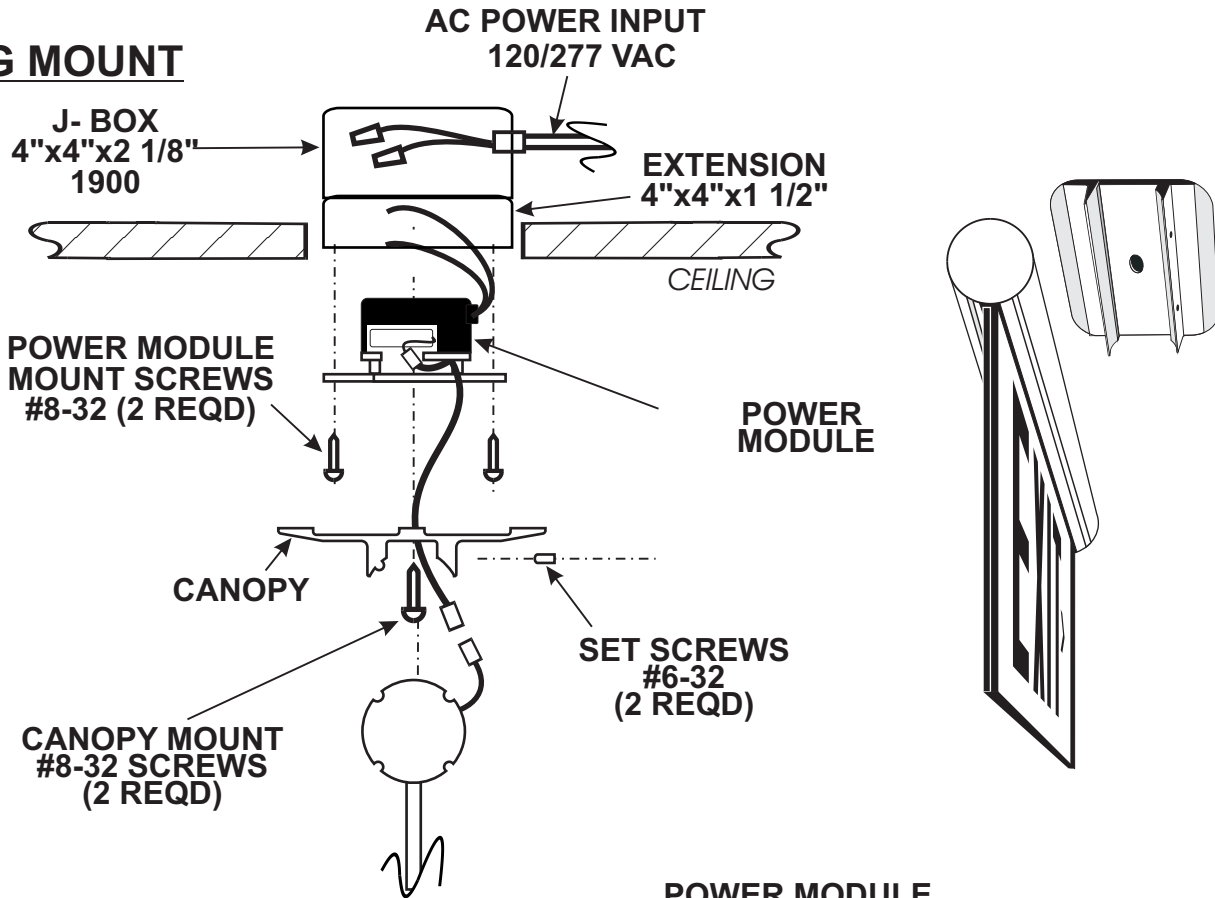
### WALL MOUNT



# Crystal Surface Mount

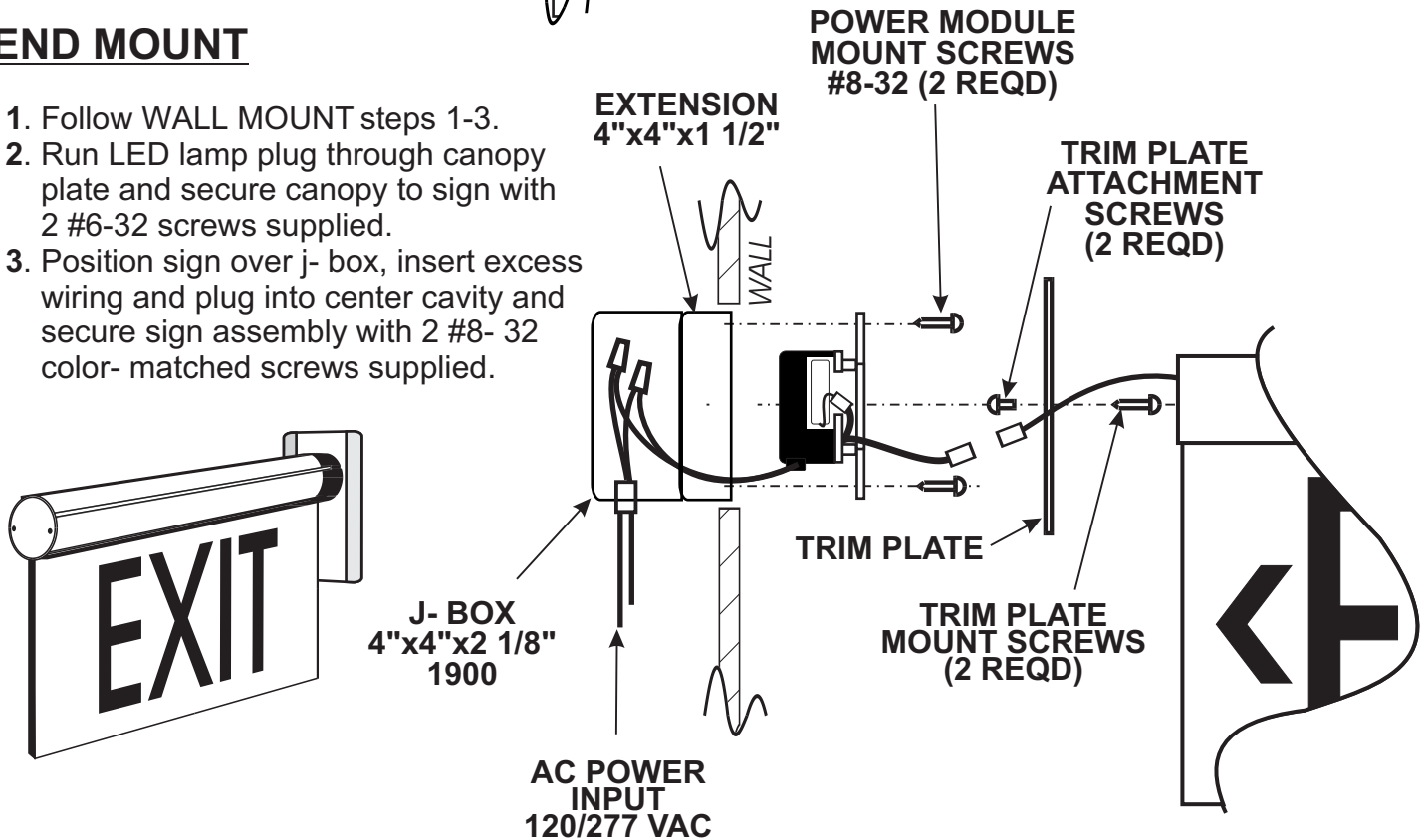
# Edge-lit LED Exit Signs Series CRS

## CEILING MOUNT



## END MOUNT

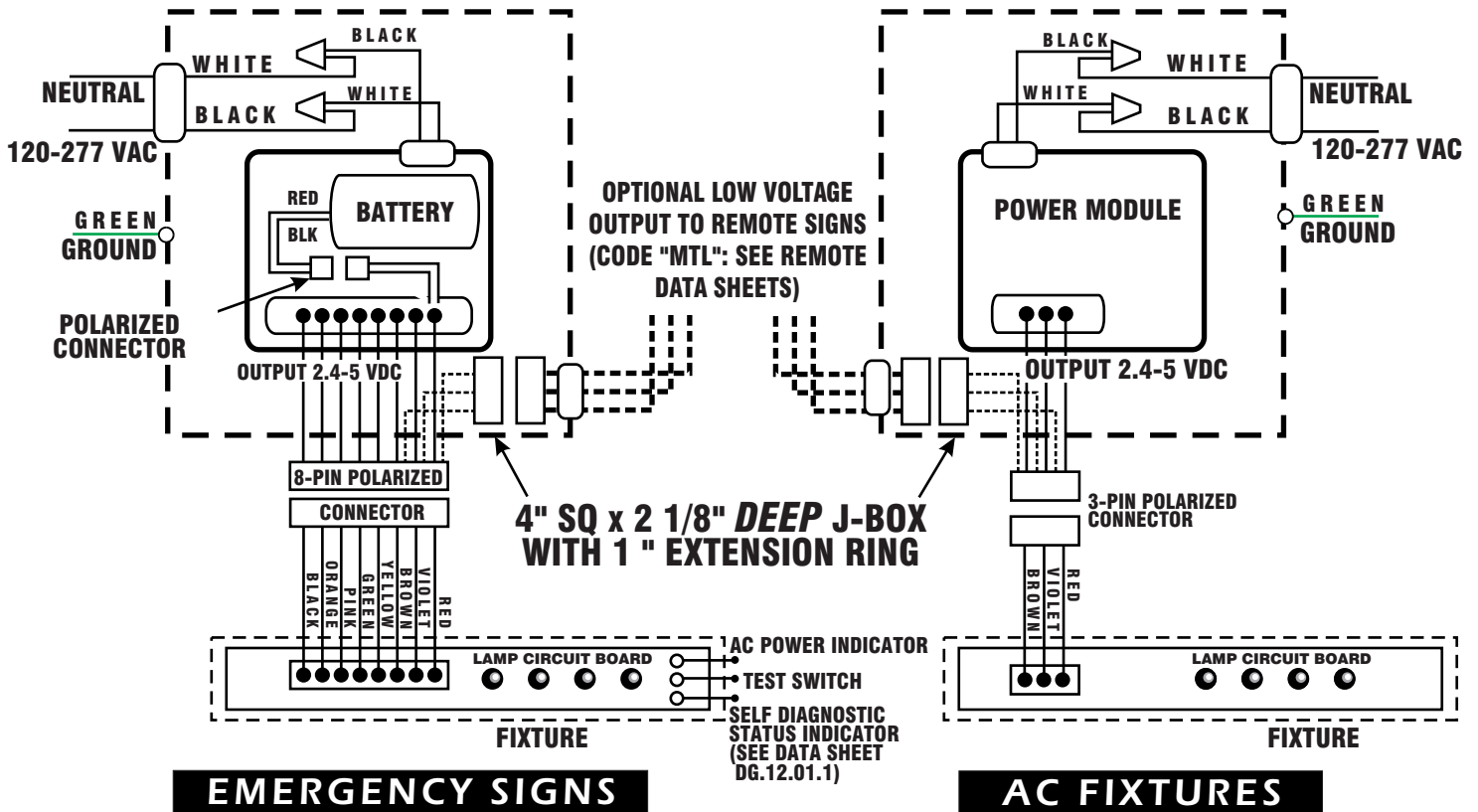
1. Follow WALL MOUNT steps 1-3.
2. Run LED lamp plug through canopy plate and secure canopy to sign with 2 #6-32 screws supplied.
3. Position sign over j- box, insert excess wiring and plug into center cavity and secure sign assembly with 2 #8-32 color-matched screws supplied.



REV 10.08.02

## Wiring Diagrams & Instructions

REV 10.08.02



### Wiring

1. This equipment to be connected to an unswitched circuit only.
2. For exits with Master- Remote or Self- Diagnostics, refer to supplementary data sheet for wiring diagrams and additional instructions.
3. **CAUTION:** Damage to battery will occur if battery connector is connected to charger board for prolonged period of time without continuous AC power provided.

### Inspection and Maintenance

**Important Note:** Emergency lighting systems should be tested as often as local codes require, or at least monthly, to ascertain that all components are operational. Allow battery to charge 8 hours before initial testing, and 24 hours to fully charge battery.

1. **Normal Operation:** When unit is functioning properly, with AC power supplied, the "Ready" light and exit lamp will be on.
2. **To Test:** Press manual test switch. "Ready" light will turn off and exit lamp will remain on in DC mode.

**Note:** Turn off AC power and disconnect battery before servicing unit.

### Battery Replacement

Remove fixture from J-Box. Locate battery wiring and disconnect 2-pin polarized battery plug. Pry battery out of cavity to release hook and loop fastener. Replace battery, reconnect battery plug and replace fixture.

### Power Module Replacement

Remove fixture from J-Box. Remove two #8-32 screws to J-Box and remove Power Module Assembly from J-Box. Disconnect wire nuts or push nut connectors to AC line inputs. To replace with new Power Module, reverse this sequence.



**Signtex Inc**  
LIGHTING

220 VFW Avenue, Grasonville, MD 21638  
TEL: (410) 827-8300 Fax: (410) 827-8866

sales@signtexinc.com www.signtexinc.com