

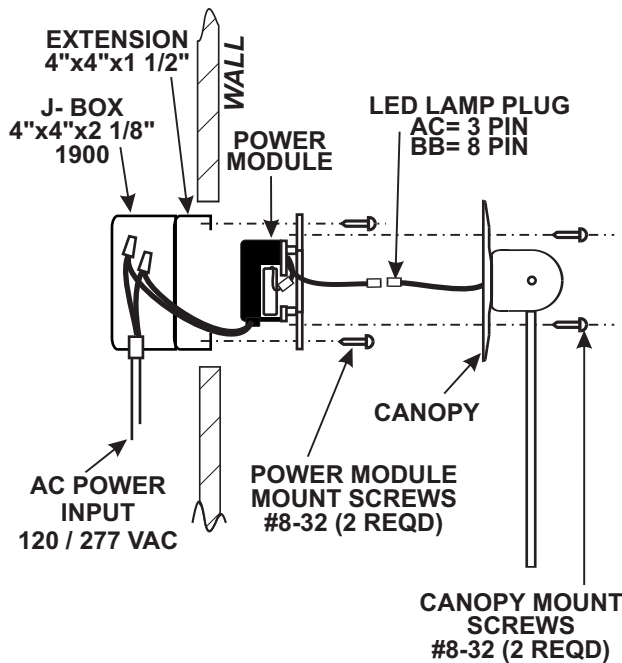
INSTALLATION INSTRUCTIONS AND OWNER'S MANUAL

Before installing or connecting any primary power wiring,
DISCONNECT MAIN POWER SUPPLY AT THE CIRCUIT BREAKER OR FUSE.

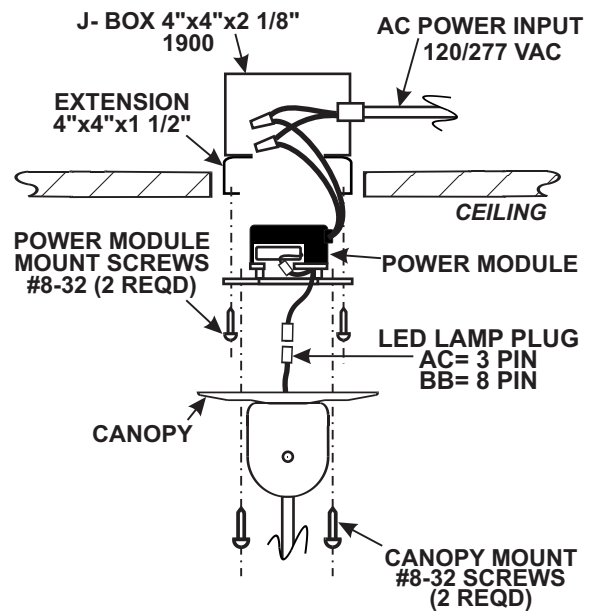
**ALL INSTALLATIONS REQUIRE STANDARD TYPE 4" x 4" SQ x 2 1/8" DEEP J- BOX WITH
1 1/2" EXTENSION. SET J-BOX EDGE AT 1/4" BELOW FINISHED PANEL SURFACE**



WALL MOUNT



CEILING MOUNT



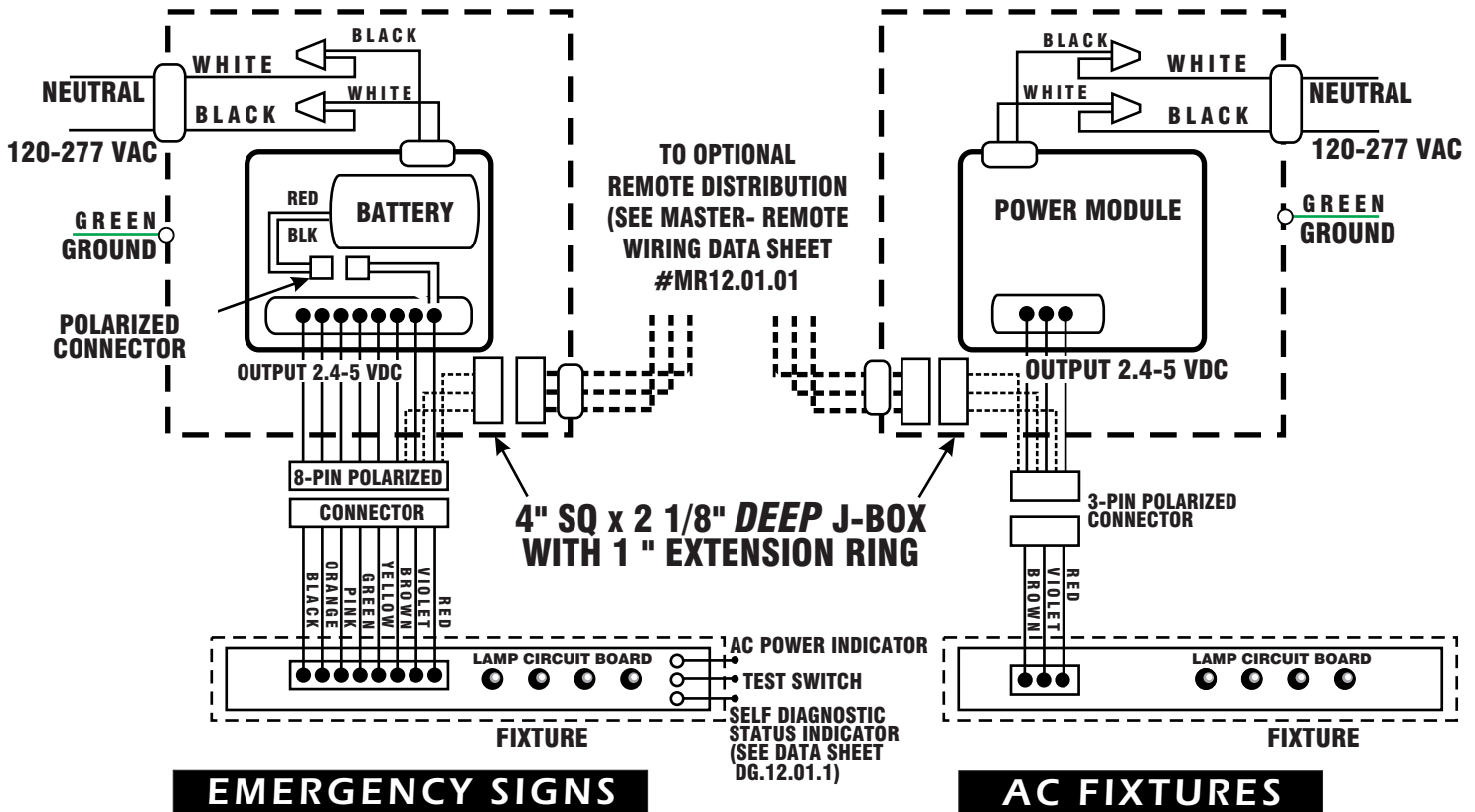
1. Connect Power Module AC wiring to main power lines in J-Box, using wire nuts or connectors supplied. BLACK - 120 -277 VAC: WHITE: Common. Attach building ground wire to backbox with screw provided.
2. Route wire nuts to side of J-box, insert Power Module into box and secure with 2 #8-32 box screws. NOTE: Power module orientation is universal, position as required to clear nipple and wire nuts in J-box.
3. For battery backup models, connect 2-pin polarized battery plug.
4. Connect LED lamp plug. Insert excess wiring and plug into j-box cavity. Position canopy, then secure with 2 #8-32 screws.

IMPORTANT SAFEGUARDS READ AND FOLLOW ALL SAFETY INSTRUCTIONS

1. Disconnect AC power before servicing.
2. Refer to wiring diagram for proper connections.
3. All servicing should be performed by qualified personnel.
4. Consult your local building code for approved wiring and installation.
5. Do not use this equipment for other than intended use.
6. Do not let power cords touch hot surfaces.
7. Mount and secure the fixture at a location and height to avoid ready access and tampering by unauthorized persons.
8. The use of accessory equipment is not recommended by the manufacturer and may cause an unsafe condition.
9. Suitable for wet locations. See product label for temperature limitations.

SAVE THESE INSTRUCTIONS

Wiring Diagrams & Instructions



Wiring

1. This equipment to be connected to an unswitched circuit only.
2. For exits with Master- Remote or Self- Diagnostics, refer to supplementary data sheet for wiring diagrams and additional instructions.
3. **CAUTION:** Damage to battery will occur if battery connector is connected to charger board for prolonged period of time without continuous AC power provided.

Inspection and Maintenance

Important Note: Emergency lighting systems should be tested as often as local codes require, or at least monthly, to ascertain that all components are operational. Allow battery to charge 8 hours before initial testing, and 24 hours to fully charge battery.

1. **Normal Operation:** When unit is functioning properly, with AC power supplied, the "Ready" light and exit lamp will be on.
2. **To Test:** Press manual test switch. "Ready" light will turn off and exit lamp will remain on in DC mode.

Note: Turn off AC power and disconnect battery before servicing unit.

Battery Replacement

Remove fixture from J-Box. Locate battery wiring and disconnect 2-pin polarized battery plug. Pry battery out of cavity to release hook and loop fastener. Replace battery, reconnect battery plug and replace fixture.

Power Module Replacement

Remove fixture from J-Box. Remove two #8-32 screws to J-Box and remove Power Module Assembly from J-Box. Disconnect wire nuts or push nut connectors to AC line inputs. To replace with new Power Module, reverse this sequence.



Signtex Inc
LIGHTING

220 VFW Avenue, Grasonville, MD 21638
TEL: (410) 827-8300 Fax: (410) 827-8866

sales@signtexinc.com www.signtexinc.com